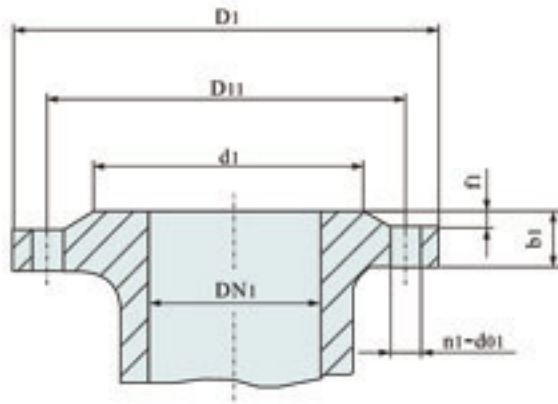
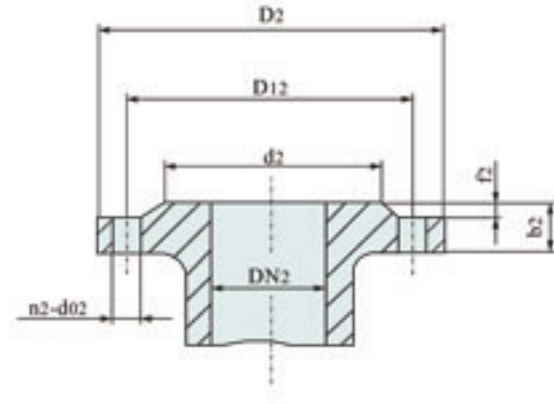


# IM MODEL SINGLE-STAGE CENTRIFUGAL PUMP

## INPUT & OUTPUT FLANGE DIAGRAM



Input flange



Output flange

## INPUT & OUTPUT FLANGE SIZE TABLE

Type	Input flange size							Output flange size						
	DN <sub>1</sub>	D <sub>1</sub>	D <sub>11</sub>	d <sub>1</sub>	b <sub>1</sub>	f <sub>1</sub>	n <sub>1</sub> -d <sub>01</sub>	DN <sub>2</sub>	D <sub>2</sub>	D <sub>12</sub>	d <sub>2</sub>	b <sub>2</sub>	f <sub>2</sub>	n <sub>2</sub> -d <sub>02</sub>
IM50-32-125	50	165	125	99	20	3	4-17.5	32	140	100	76	18	2	4-17.5
IM50-32-160	50	165	125	99	20	3	4-17.5	32	140	100	76	18	2	4-17.5
IM50-32-200	50	165	125	99	20	3	4-17.5	32	140	100	76	18	2	4-17.5
IM50-32-250	50	165	125	99	20	3	4-17.5	32	140	100	76	18	2	4-17.5
IM65-50-125	65	185	145	118	20	3	4-17.5	50	165	125	99	20	3	4-17.5
IM65-50-160	65	185	145	118	20	3	4-17.5	50	165	125	99	20	3	4-17.5
IM65-40-200	65	185	145	118	20	3	4-17.5	40	150	110	84	18	3	4-17.5
IM65-40-250	65	185	145	118	20	3	4-17.5	40	150	110	84	18	3	4-17.5
IM65-40-315	65	185	145	118	20	3	4-17.5	40	150	110	84	18	3	4-17.5
IM80-65-125	80	200	160	132	20	3	8-17.5	65	185	145	118	20	3	4-17.5
IM80-65-160	80	200	160	132	20	3	8-17.5	65	185	145	118	20	3	4-17.5
IM80-50-200	80	200	160	132	20	3	8-17.5	50	165	125	99	20	3	4-17.5
IM80-50-250	80	200	160	132	20	3	8-17.5	50	165	125	99	20	3	4-17.5
IM80-50-315	80	200	160	132	20	3	8-17.5	50	165	125	99	20	3	4-17.5
IM100-80-125	100	220	180	156	22	3	8-17.5	80	200	160	132	20	3	8-17.5
IM100-80-160	100	220	180	156	22	3	8-17.5	80	200	160	132	20	3	8-17.5
IM100-65-200	100	220	180	156	22	3	8-17.5	65	185	145	118	20	3	4-17.5
IM100-65-250	100	220	180	156	22	3	8-17.5	65	185	145	118	20	3	4-17.5
IM100-65-315	100	220	180	156	22	3	8-17.5	65	185	145	118	20	3	4-17.5
IM125-100-200	125	250	210	184	22	3	8-17.5	100	220	180	156	22	3	8-17.5
IM125-100-250	125	250	210	184	22	3	8-17.5	100	220	180	156	22	3	8-17.5
IM125-100-315	125	250	210	184	22	3	8-17.5	100	220	180	156	22	3	8-17.5
IM125-100-400	125	250	210	184	22	3	8-17.5	100	220	180	156	22	3	8-17.5
IM150-125-250	150	285	240	211	24	3	8-22	125	250	210	184	22	3	8-17.5
IM150-125-315	150	285	240	211	24	3	8-22	125	250	210	184	22	3	8-17.5
IM150-125-400	150	285	240	211	24	3	8-22	125	250	210	184	22	3	8-17.5
IM200-150-250	200	340	295	266	24	3	12-22	150	285	240	211	24	3	8-22
IM200-150-315	200	340	295	266	24	3	12-22	150	285	240	211	24	3	8-22
IM200-150-400	200	340	295	266	24	3	12-22	150	285	240	211	24	3	8-22