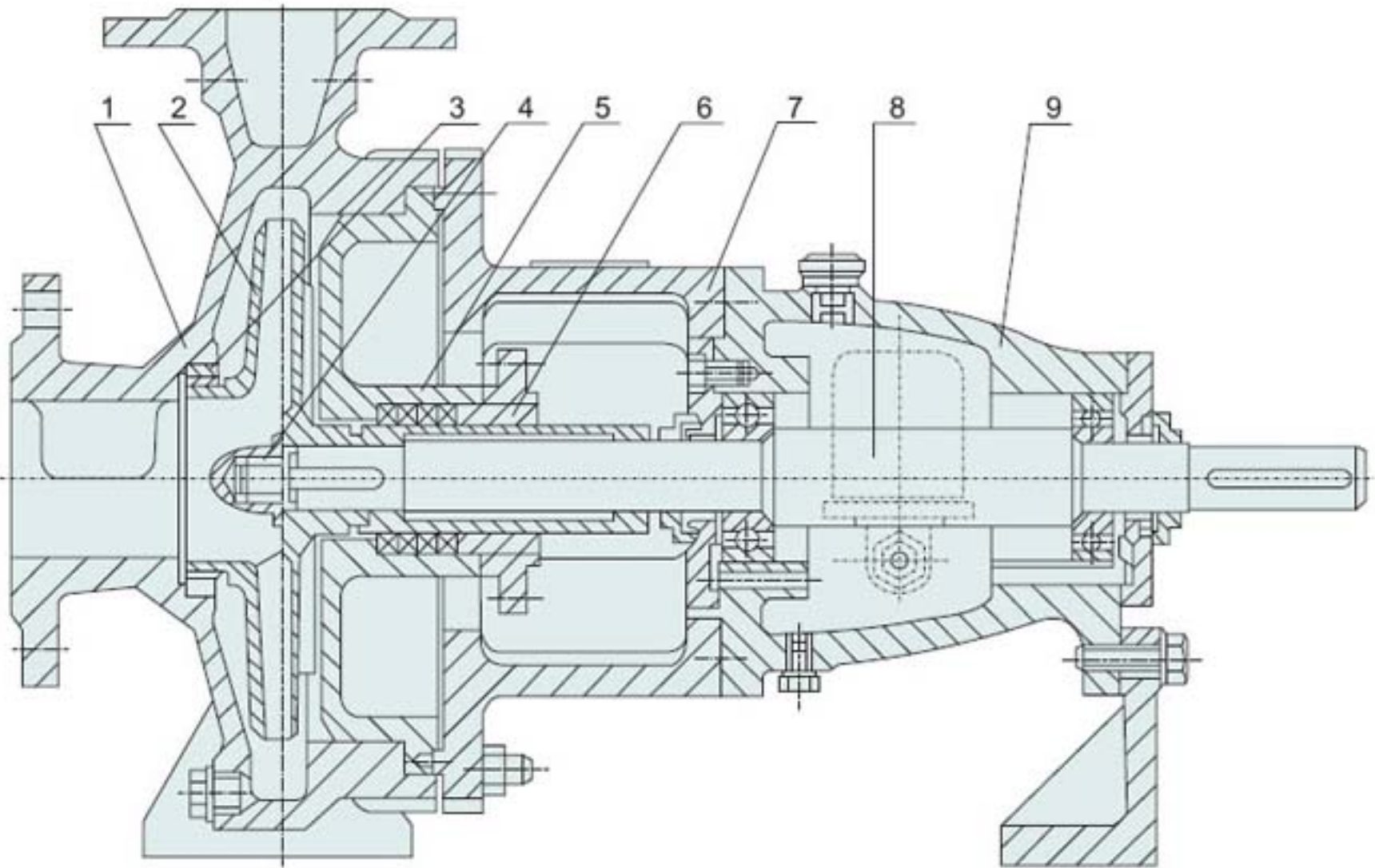


IM MODEL SINGLE-STAGE CENTRIFUGAL PUMP

Structure Drawing



1	Pump casing	4	Impeller nut	7	Mid bracket
2	Impeller	5	Pump cover	8	Shaft
3	Seal-ring	6	Seal part	9	Hanging stand