

WIND SENSOR

THCL435



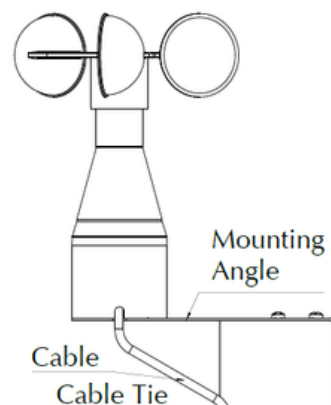
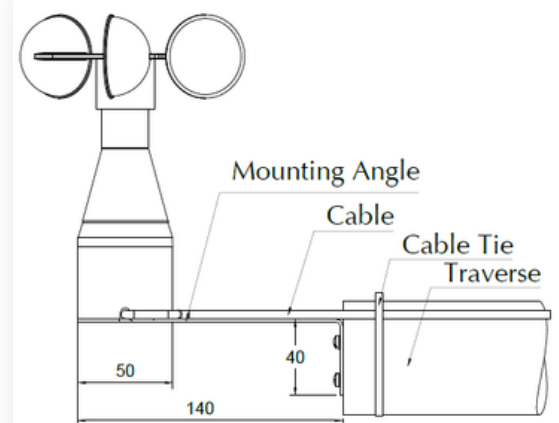
ABOUT THCL435 WIND SENSOR

The THCL 435 Wind Sensor is designed for the reliable acquisition of the horizontal wind velocity. The measuring value is output as frequency, which is in proportional to wind speed.

The measuring data available are ideally adapted to the input of data logger, in display instruments, as well as process control systems.

SPECIFICATION

- Sensor Type: Cup star anemometer
- Signal: Reed relais, 2,5 Hz/(m/s)
- Range: 0,9 to 40 m/s (60 m/s for short time)
- Accuracy: 0,5 m/s or 5% of reading
- Ambient temperature: -25 to +60°C (without icing)
- Cable: 5 m LiYC11Y, 4 x AWG 26, black, weather and uv-resistant
- Compliance with European Directives and Regulations standard EN 61000-6-2, EN 61000-6-3, EN 61010-1, EN 50581



FOR INQUIRY, PLEASE CONTACT IMC-NIPPON CORP.

www.imc-nippon.com